

Cable to Ground Rod

Mold Information:

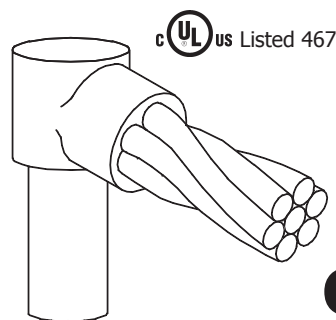
- Molds listed are for stranded cable. For solid conductor, add suffix "S" after conductor number. i.e. 4S = 4 AWG solid conductor.
- Molds listed are for tapered ground rods. For threaded sectional rods, add suffix "S" after the ground rod number. i.e. 58S = 5/8" sectional ground rod.
- Molds with Price Key "L" SOLD WITH HANDLES.
- If Handles not required, add suffix "-X" after the Mold Part No.
- Handles for "L" Price Key Molds DO NOT INCLUDE Flint Igniters.
- Price Key is the **Bold Letter** in the Mold Part No.
- For mold Wear Plates, add suffix "WP" to the end of the Mold Part No. See page 315 for details.

Required Tools & Accessories:

- MH1 - Handle for "B" Price Key Molds
- MH2 - Handle for "C" Price Key Molds
- FLTIG - Flint Igniter when Price Key is "L"

Recommended Tools & Accessories:

- CCBRSH1 - Cable Cleaning Brush
- MCBRSH1 - Mold Cleaning Brush



GD

(Single Cable Dead Ended to Top of Ground Rod)

GD Connection Type

Ground Rod Size	Cable Size	Mold Part No.	Weld Metal	
			UltraShot	NUWTUBE
1/2"	#6	GD-126L	US25	NUWTUBE25
	#4	GD-124L	US25	NUWTUBE25
	#2 Sol	GD-122SB	US65	NUWTUBE65
	#2	GD-122B	US65	NUWTUBE65
	1/0	GD-121/0B	US90	NUWTUBE90
	2/0	GD-122/0B	US90	NUWTUBE90
	3/0	GD-123/0B	US90	NUWTUBE90
	4/0	GD-124/0B	US90	NUWTUBE90
	250 MCM	GD-1225CMB	US90	NUWTUBE90
	300 MCM	GD-123CMB	US90	NUWTUBE90
5/8"	#6	GD-586L	US32	NUWTUBE32
	#4	GD-584L	US32	NUWTUBE32
	#2 Sol	GD-582SB	US65	NUWTUBE65
	#2	GD-582B	US65	NUWTUBE65
	1/0	GD-581/0B	US90	NUWTUBE90
	2/0	GD-582/0B	US90	NUWTUBE90
	3/0	GD-583/0B	US90	NUWTUBE90
	4/0	GD-584/0B	US90	NUWTUBE90
	250 MCM	GD-5825CMB	US115	NUWTUBE115
	300 MCM	GD-583CMB	US115	NUWTUBE115
350 MCM	GD-5835CMB	US115	NUWTUBE115	
500 MCM	GD-585CMB	US150	NUWTUBE150	

GD Connection Type continued

Ground Rod Size	Cable Size	Mold Part No.	Weld Metal	
			UltraShot	NUWTUBE
3/4"	#6	GD-346L	US32	NUWTUBE32
	#4	GD-344L	US45	NUWTUBE45
	#2 Sol	GD-342SB	US90	NUWTUBE90
	#2	GD-342B	US90	NUWTUBE90
	1/0	GD-341/0B	US90	NUWTUBE90
	2/0	GD-342/0B	US90	NUWTUBE90
	3/0	GD-343/0B	US90	NUWTUBE90
	4/0	GD-344/0B	US90	NUWTUBE90
	250 MCM	GD-3425CMB	US115	NUWTUBE115
	300 MCM	GD-343CMB	US115	NUWTUBE115
1"	1/0	GD-101/0B	US150	NUWTUBE150
	2/0	GD-102/0B	US150	NUWTUBE150
	3/0	GD-103/0B	US150	NUWTUBE150
	4/0	GD-104/0B	US150	NUWTUBE150
	250 MCM	GD-1025CMB	US150	NUWTUBE150
	300 MCM	GD-103CMB	US200	NUWTUBE200
	350 MCM	GD-1035CMB	US200	NUWTUBE200
	500 MCM	GD-105CMB	US200	NUWTUBE200
	750 MCM	GD-1075CMB	US250	NUWTUBE250
	1000 MCM	GD-101MCM	US300	2-NUWTUBE150

NOTES:

- Molds listed are for copper-clad steel ground rods.
- For welding to full size stainless steel, galvanized steel or solid copper ground rods, add letter "F" to ground rod size. For sectional ground rods, add letter "S" to ground rod size. See chart on page 326 for details.