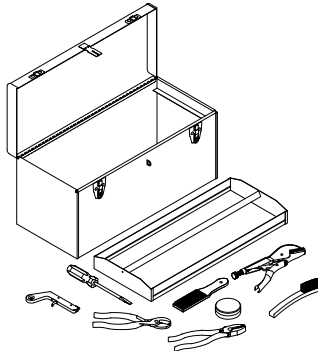


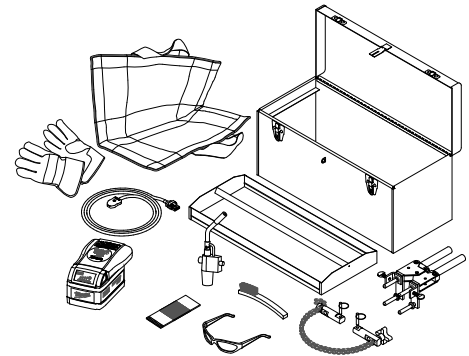
## Materials, Tools & Accessories

### Toolkits

| Part No.  | Qty. | Approx. Each Wt. (lbs.) |
|-----------|------|-------------------------|
| TOOLKIT   | EA   | 10                      |
| USTOOLKIT | EA   | 23-1/4                  |



- **TOOLKIT Includes:**
  - (1) TOOLBOX: 20" x 9.6" x 8.6" metal toolbox with tray
  - (1) CC9: 9" Cable Cutters
  - (1) LP9: Lineman's Pliers
  - (1) SSS6: 6" Screwdriver
  - (1) VG10: 10" Vise-Grips
  - (1) FLTIG: Flint Igniter
  - (1) CCBRS1: Cable Cleaning Brush
  - (1) MCBRS1: Mold Cleaning Brush
  - (1) DISKKIT: Disk Kit

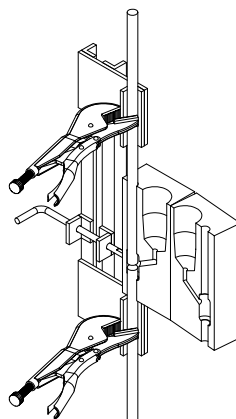
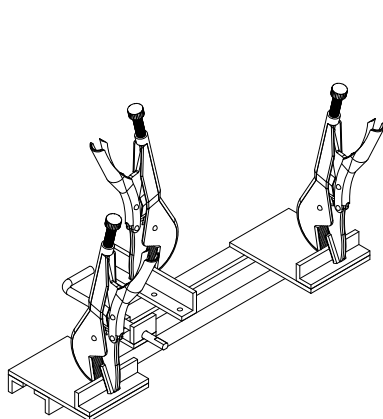


- **USTOOLKIT Includes:**
  - (1) DRONE
  - (1) TOOLBOX: 20" x 9.6" x 8.6" metal toolbox with tray
  - (1) MH1: Mold Handle
  - (1) CSKIT: Chain Support Kit
  - (1) MCBRS2: Mold Cleaning Brush
  - (1) SFTYGLS: Safety Glasses
  - (1) GLOVES: Leather Palm Gloves
  - (1) 3MABPAD: Abrasive Pad
  - (1) ULTRAWRAP: Mold Blanket
  - (1) TRCHD: Torch Head

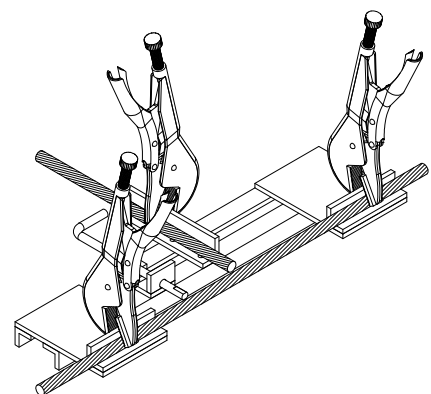
### Ground Rod & Cable Clamp

| Part No. | Qty. | Approx. Each Wt. (lbs.) |
|----------|------|-------------------------|
| GRCC     | EA   | 18                      |

- Clamp properly aligns and supports Ground Rods for welding type GG connections. See page 276 for details.
- Add-on third clamp (included) is used to convert into a Cable Clamping system. Thus preventing cables under tension from moving during welding and ensuring no weld metal leakage. This ensures quality connections and increases the life of the mold.



Ground Rod Clamping



Cable Clamping