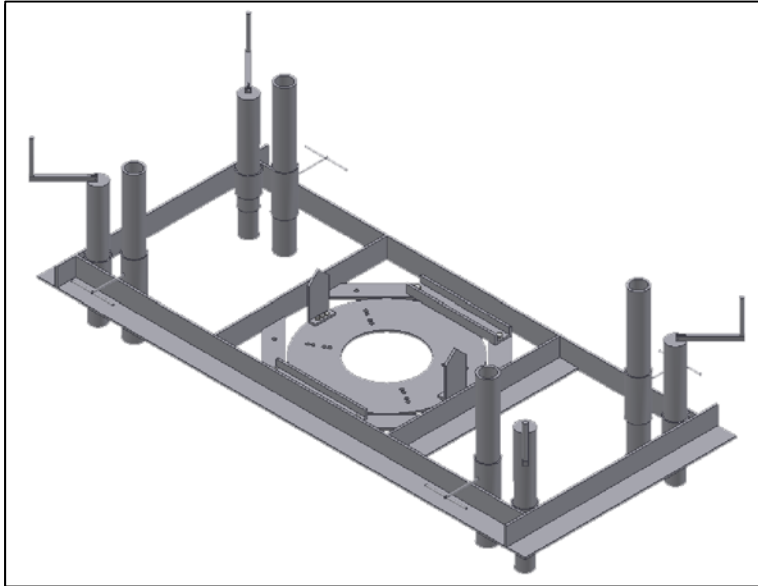
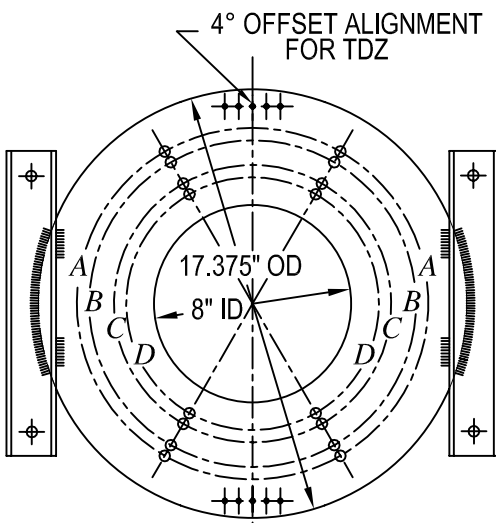
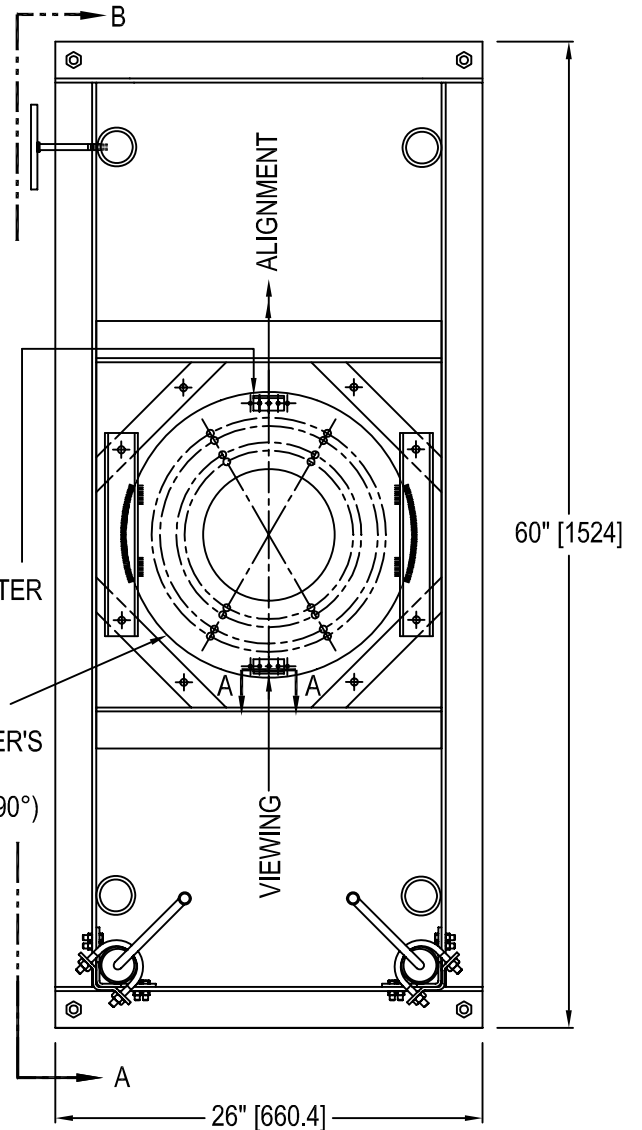


Setting Fixture AW9100 & AW9101



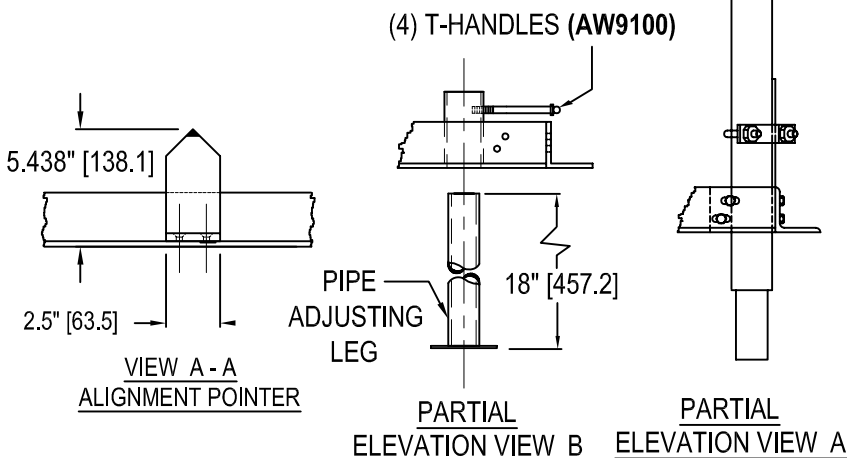
Setting Fixture AW9100 & AW9101
Picture shown with both leveling styles



BOLT PATTERN IDENTIFICATION
(INTERNAL ONE PIECE FRAME)

ALIGNMENT POINTER
INTERNAL ONE PIECE
FRAME ASSEMBLY
WITH ALIGNMENT POINTER'S
INSTALLED
(FIELD ROTATEABLE BY 90°)

(4) TRAILER JACKS (AW9101)



AW9100 & AW9101

BOLT CENTER	BC	QTY. 7/16" HOLE
A	14.25" [362]	4
B	13.25" [336.6]	4
C	11.25" [285.8]	4
D	10.25" [260.4]	4

[] = dimensions in metrics; mm