

Hali-Brite®

Installation and Maintenance Manual



HBM 400PS L-802A Airport Rotating Beacon

Hali-Brite® Inc.
P.O. Box 10
Crosby, MN 56441
Tel: 800.553.6269
Fax: 218.546.6854
www.halibrite.com

Table of Contents

1	Introduction.....	3
1.1	About this Manual.....	3
1.2	Model Configurations	3
1.3	Warranty.....	3
1.4	Disclaimers.....	4
2	Safety Precautions.....	5
2.1	Safety Statements.....	5
2.2	General Practices.....	5
2.3	Electrical Practices.....	6
2.4	Qualified Personnel.....	7
2.5	Proper Usage.....	7
3	Specifications.....	8
3.1	Electrical and Optical Specifications	8
3.2	Physical Specifications	8
3.3	Environmental Specifications	8
4	Installation.....	9
4.1	Unpacking.....	9
4.2	Tools and Supplies Needed.....	9
4.3	Installation.....	9
5	Maintenance.....	12
5.1	Maintenance Schedule	12
5.2	Maintenance Procedures	12
6	Repair.....	14
6.1	Cover Glass.....	14
6.2	Fuses.....	14
6.3	Timing Belt.....	14
6.4	Rotating Electrical Coupling.....	14
6.5	Lamp Ballast.....	15
6.6	Motor and Gearhead.....	15
7	Replacement Parts and Wiring Diagrams	17

1 Introduction

1.1 About this Manual

The information in this manual is provided to assist installation and maintenance personnel in the proper installation, upkeep, and maintenance of the HBM 400PS Airport Rotating Beacon. This manual also includes installation and maintenance instructions for all equipment sold as options to the basic unit.

1.2 Model Configurations

L802A6116: 120 VAC, 60 Hz, Class I (-30°C to +55°C)

L802A6125: 220-240 VAC, 50 Hz, Class I (-30°C to +55°C)

L802A6126: 220-240 VAC, 60 Hz, Class I (-30°C to +55°C)

L802A6216: 120 VAC, 60 Hz, Class II (-55°C to +55°C)

L802A6225: 220-240 VAC, 50 Hz, Class II (-55°C to +55°C)

L802A6226: 220-240 VAC, 60 Hz, Class II (-55°C to +55°C)

1.3 Warranty

Hali-Brite® products are guaranteed against mechanical, electrical, and physical defects (excluding lamps) for a period of one year from the date of installation or a maximum of two years from the date of shipment and are guaranteed to be merchantable and fit for the ordinary purposes for which such products are made. Hali-Brite® will correct by repair or replacement, at its option, equipment or parts which fail because of mechanical, electrical or physical defects, provided that the goods have been properly handled and stored prior to installation, properly installed and properly operated after installation, and provided further that Buyer gives Hali-Brite® written notice of such defects after delivery of the goods to Buyer. Hali-Brite® reserves the right to examine goods upon which a claim is made. Said goods must be presented in the same condition as when the defect therein was discovered. Hali-Brite® further reserves the right to require the return of such goods to establish any claim. Hali-Brite's obligation under this guarantee is limited to making repair or replacement within a reasonable time after receipt of such written notice and does not include any other costs such as the cost of removal of defective part, installation of repaired product, labor or consequential damages of any kind, the exclusive remedy being to require such new parts to be furnished. Hali-Brite's liability under no circumstances will exceed the contract price of goods claimed to be defective. Any returns under this guarantee are to be on a transportation charges prepaid basis. For products not manufactured by, but sold by Hali-Brite®, warranty is limited to that extended by the original manufacturer. This is Hali-Brite's sole guarantee and warranty with respect to the goods; there are no express warranties or warranties of fitness for any particular purpose or any implied warranties of fitness for any particular purpose or any implied warranties other than those made expressly herein. All

such warranties being expressly disclaimed. Details and values given in this manual are average values and have been compiled with care. They are not binding, however, and Hali-Brite® disclaims any liability for damages or detriments suffered as a result of reliance on the information given herein or the use of products, processes or equipment to which this manual refers. No warranty is made that the use of the information or of the products, processes or equipment to which this manual refers will not infringe any third party's patents or rights. The information given does not release the buyers from making their own experiments and tests.

1.4 Disclaimers

This manual is published for informational purposes only and the information provided should not be considered as all-inclusive or covering all contingencies. If further information is required, Hali-Brite® Inc. should be contacted. Sale of the product shown in this manual is subject to Hali-Brite's terms and conditions including, but not limited to, the Hali-Brite® Warranty. Such terms and conditions are available upon request. Hali-Brite's warranty will not apply to any products which have been "so repaired or altered outside the manufacturer's plants as, in the manufacturer's judgment, to affect its reliability and performance."

No warranties, express or implied, including warranties of fitness for a particular purpose or merchantability, or warranties arising from course or dealing or usage of trade, are made regarding the information, recommendations, and descriptions contained herein. The manufacturer is not responsible and will not be held liable in contract or in tort (including negligence) for any special, indirect or consequential damages, including injury or damage caused to vehicles, contents or persons, by reason of the installation of any Hali-Brite® product or its mechanical or electrical failure.

2 Safety Precautions

To help you install and maintain this equipment safely and efficiently make sure you read and understand all safety information in this manual prior to performing any procedure. Failure to do so may result in personal injury, property damage, or possible death.

2.1 Safety Statements

The following safety statements are used throughout this manual. They will alert you to possible safety hazards and conditions that could result in personal injury, death, or property and equipment damage.

CAUTION: Indicates hazards or unsafe practices that could result in minor personal injury, product, or property damage.

WARNING: Indicates hazards or unsafe practices that could result in severe personal injury or death.

DANGER: Indicates immediate hazards that will result in severe personal injury or death.

2.2 General Practices

Read and become familiar with the general safety instructions provided in this section of the manual before installing, operating, maintaining, or repairing this equipment.

- Do not attempt to assemble or install this equipment if it has been damaged from shipping.
- Do not attempt to install or maintain this equipment if you or the equipment is standing in water.
- Only qualified personnel should perform maintenance on this equipment.
- Always use proper tools (as mentioned in this manual) to perform installation and maintenance.
- Use proper hand and eye protection as needed when installing or maintaining this equipment.
- Make sure you have adequate first aid supplies available when installing this equipment.

- Do not modify this equipment as this could create a safety hazard and void your Hali-Brite® warranty.
- Use only Hali-Brite® replacement parts.
- Read and carefully follow the instructions given throughout this manual for performing specific tasks and working with specific equipment.
- Follow all applicable safety procedures required by your company, industry standards, and government or other regulatory agencies.
- Make sure all equipment is rated and approved for the environment in which you are using it.
- Follow all instructions for installing components and accessories.
- Protect components from damage, wear, and harsh environment conditions.
- Allow ample room for maintenance, wiring accessibility, and cover removal.

2.3 Electrical Practices

- Do not attempt to make electrical connections with the power on.
- Disconnect and lock out electrical power before touching any electrical connections.
- Install all electrical connections to local code.
- Use only electrical wire of sufficient gauge and insulation to handle the rated current demand. All wiring must meet local codes.
- Route electrical wiring along a protected path. Make sure moving equipment will not damage it.
- Protect equipment with safety devices as specified by applicable safety regulations.
- If safety devices must be removed for installation, install them immediately after the work is completed and check them for proper functioning.
- Always use rated electrical tools when performing electrical work.
- Always make sure electrical connections are tight.
- Make sure electrical covers are in place after installation.

- Do not touch hot lamps with bare hands.

2.4 Qualified Personnel

Qualified personnel are those that are trained and experienced with installing or maintaining Hali-Brite® equipment. Only qualified personnel should install or maintain Hali-Brite® equipment and auxiliary features.

No one should:

- Attempt to install or perform maintenance on this or any Hali-Brite® equipment if they are physically impaired or under the influence of alcohol or non-prescription drugs.
- Maintain or install this equipment without correct training, supervision or experience in mechanical or electrical equipment.
- Attempt to maintain or install this equipment without the correct tools as specified in this manual.

2.5 Proper Usage

Always use this equipment as specified in this manual. Improper usage may result in serious personal injury, property damage, or possible death.

- Do not make any modifications that have not been recommended by Hali-Brite®.
- Do not use any replacement parts that are not purchased from Hali-Brite®.
- Hali-Brite® cannot be responsible for injuries or damages resulting from nonstandard, unintended applications of its equipment. This equipment is designed and intended only for the purpose described in this manual. Uses not described in this manual are considered unintended uses and may result in serious personal injury, death, or property damage.

3 Specifications

3.1 Electrical and Optical Specifications

FAA Type	L-802A
Input Voltage.....	120 or 220-240VAC, +/-10%, 50/60 Hz
Power Consumption.....	965W (Class I), 1365W (Class II)
Lenses.....	One clear, one green
Lamps.....	400W Metal Halide, Pulse Start
Rated Average Lamp Life	15,000 hours typical
Beam Intensity	37,500 min. effective candelas from +1° to +2° vertical and from +8° to +10° vertical, 75,000 min. effective candelas from +2° to +8°
Rotation Speed	12 RPM (Produces 24 flashes per minute)

3.2 Physical Specifications

Dimensions	Height: 41.25 inches (1048 mm)
.....	Width: 24 inches (610 mm)
Mounting Dimensions.....	Four ½ inch (12.7 mm) holes in a rectangular pattern: (4"x 16") (101.6 x 406.4 mm)
Product Weight.....	150 lb. (68 kg)
Shipping Weight	250 lb. (114 kg)

3.3 Environmental Specifications

Operating Temperature (Class I)	-30°C (-22°F) to +55°C (+131°F)
Operating Temperature (Class I)	-55°C (-67°F) to +55°C (+131°F)
Heater (Class II only).....	400W (heating element)
Turns On	Below 0°C (+32°F)
Humidity	0% to 100%
Altitude	Sea level to 10,000 feet (3000 m)
Wind.....	Velocities to 100 mph (161 km/h)

4 Installation

WARNING: Allow only qualified personnel to perform the following tasks. Observe and follow the safety instructions in this document and all other related documentation.

4.1 Unpacking

Handle equipment very carefully to prevent component damage. Note any exterior damage to the carton/crate that might lead to detection of equipment damage. Open the top of the carton/crate. Remove foam packing from the top of the box. Carefully lift the unit out of the box.

CAUTION: Do not lift the unit by the head. Failure to observe this warning may result in equipment damage.

Unpack the carton/crate upon receipt and check the contents and their condition. If you note any damage to any equipment, file a claim with the carrier immediately. The carrier may need to inspect the equipment.

4.2 Tools and Supplies Needed

Equipment Required But Not Supplied

Wrenches
Set of Screwdrivers
Set of Pliers
Voltmeter
Insulation Tester
Level
Lightning Rod
Ground Wire (for lightning rod)
Liquid Glass Cleaner
S0-3 Cable, AWG 12

4.3 Installation

The HBM 400PS rotating beacon comes completely assembled except for installation of a customer-supplied AWG 12, S0-3 power cord.

4.3.1 Mounting

Open the front door on the cabinet. Inspect the interior to make sure all parts are tight and have not been loosened in shipment. Close the door and tighten the latches.

Determine the beacon mounting location, and drill four ½” holes in the platform, spaced as shown in Figure 1.

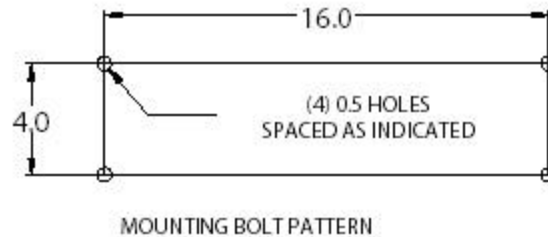


Figure 1

If the surface is not level, spacers or shims will be needed. Place a level on top of the weather cap and use shims as necessary under the four corners to bring the beacon to level. Install and tighten the mounting bolts, four each #1/2-13 bolts, length as required.

4.3.2 Wiring

See Figure 2 to locate the power connection point. The power cord enters the beacon chassis through the hole in the bottom of the base, and attaches to the white terminal block in the lower right corner.

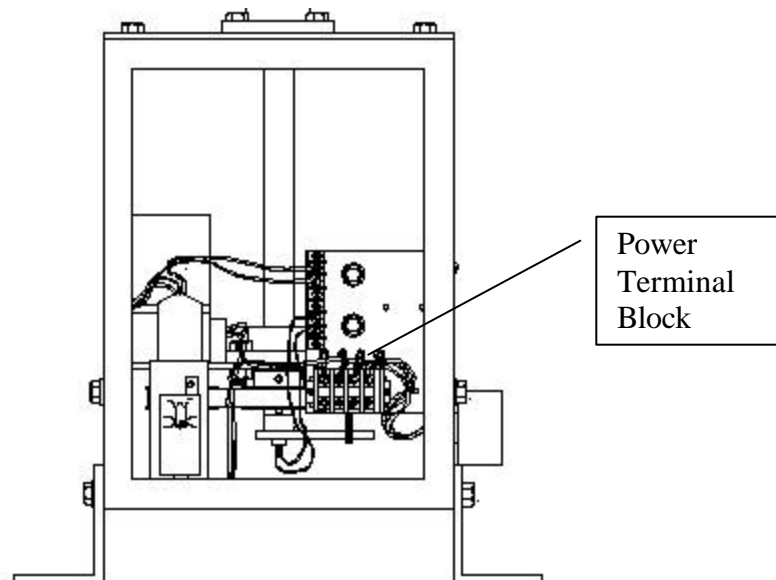


Figure 2

To install power cord, perform the following procedure:

1. Unscrew the two door latches and open the chassis door.
2. Route the cable through the hole in the bottom of the chassis. Install a ½" liquid-tight conduit fitting in the chassis hole.
3. Connect the power cord at the terminal strip as follows: Attach the black wire (120 VAC) to the terminal marked **Æ**, the white wire (neutral) to the terminal marked **N**, and the green wire (ground) to the terminal marked **G**.

4.3.3 Optional Heater Wiring

The optional heater assembly consists of a 400-watt heating element and thermostat. The heater assembly should be connected through a power cord to a separate circuit breaker, so that it may remain operable when the beacon is turned off. The thermostat should be set to activate at 0°F (-18°C). When the temperature drops below this setting, the thermostat activates the heater, which is attached to the motor gearbox. The gearbox lubricant is warmed and this facilitates rotation of the beacon when it is energized.

The power connections for the heater are located on the same terminal block as the main beacon power connections. Attach the black wire (120 VAC) to the terminal marked **ÆC**, the white wire (neutral) to the terminal marked **N**, and the green wire (ground) to the terminal marked **G**.

4.3.4 Beam Angle Adjustment

All beacons are shipped from the factory preset at an elevation angle of 5 degrees, per FAA requirements. To adjust to a different angle, refer to Section 5.2.2.

5 Maintenance

5.1 Maintenance Schedule

<u>Interval</u>	<u>Task</u>
Daily	Inspect for lamp failure and proper rotation.
Bi-monthly	Inspect cleanliness of glass. Clean as necessary.
Annually	Inspect all electrical connections. Replace beacon lamps.

5.2 Maintenance Procedures

5.2.1 Lamp Replacement

WARNING: The lens temperature can be as high as 373 °F (189 °C). Allow one-half hour for the lamps to cool before opening the lens cover. Failure to observe this warning may result in personal injury or equipment damage.

1. Disconnect and lock out power to the beacon.
2. Unlatch the 2 cover glass door latches, and open the door.
3. Unscrew the lamp from the lamp socket.
4. Clean the reflector and cover glass with glass cleaner.
5. Clean the new lamp with glass cleaner. After cleaning, do not touch the glass with your fingers.
6. Install the lamp by screwing it straight into the socket. Take care not to rub the edge of the reflector.
7. Close the cover glass door, and latch the 2 door latches.
8. Repeat as necessary for the other head.

5.2.2 Beam Angle Adjustment

All beacons are shipped from the factory preset at an elevation angle of 5 degrees, per FAA requirements.

To adjust the beacon beam to a different angle, perform the following procedure:

1. Unlatch the 2 cover glass door latches, and open the door.
2. Locate the beam elevation label on the top inside edge of the head, near the topmost edge of the reflector.

3. The elevation setting is measured at the point where the edge of the reflector intersects the elevation label.
4. Loosen the #10-32 Phillips-head screw located at the top outside edge of the head, directly above the beam elevation label. Do not loosen it more than 2 turns.
5. The beam angle may now be adjusted by gently pressing on the top and bottom edges of the reflector. Adjust the reflector until the edge of the reflector indicates the desired elevation on the elevation label.
6. Tighten the #10-32 Phillips-head screw located at the top outside edge of the head.
7. Close the cover glass door and latch the 2 door latches.
8. Repeat Steps 1-7 for the other head.

5.2.3 Lens Cleaning

Clean lenses periodically with alcohol or glass cleaner and soft cloth. Wipe dry with a clean soft cloth.

5.2.4 Lubrication

All moving parts are permanently lubricated and will not require further attention.

6 Repair

6.1 Cover Glass

Cover glass is replaced as follows:

1. Locate the six metal clips securing the cover glass to the cover glass door.
2. Remove the screw from each of the six clips.
3. Lift the cover glass out of the cover glass door.
4. Install the new cover glass in the cover glass door.
5. Reinstall the six metal clips at the edges of the cover glass.

6.2 Fuses

The HBM 400PS has a lamp fuse, and a motor fuse. The fuses are located on the Control Panel, directly inside the door of the chassis.

6.3 Timing Belt

To replace the timing belt:

1. Disconnect and lock out power to the beacon.
2. Disconnect the two lamp wires from the control panel. Refer to Section 7 for wire locations.
3. Loosen the four screws on the motor, with a 5/32" Allen wrench and 3/8" wrench.
4. Slide the motor to the right and remove the old belt.
5. Install the new belt.
6. Tighten the belt by sliding the motor to the left. The belt should have 1/8" deflection. Do not over tighten the belt.
7. Reconnect the two lamp wires to the control panel.
8. Reconnect power to the beacon.

6.4 Rotating Electrical Coupling

Perform the following steps to replace the rotating coupling:

1. Disconnect and lock out power to the beacon.
2. Disconnect the two lamp wires from the control panel. Refer to Section 7 for wire locations.
3. Remove the two wires from the bottom of the coupling.
4. Loosen the cap screw in torque arm, and remove the torque arm.
5. Loosen the setscrew in the bottom of the main shaft, and remove the metal coupling.
6. Remove the two wires from the top of the coupling.

7. Place the black wire on the center tab of the new coupling, and place the white wire on the outer tab of the new coupling.
8. Reinsert the coupling in the shaft, and tighten the setscrew. (**NOTE:** Do not over tighten.)
9. Reinstall the torque arm, and tighten the cap screw. (**NOTE:** Do not over tighten.)
10. Place the black wire on the center tab of the coupling, and the white wire on outer tab of the coupling.
11. Connect the two wires to the control panel. Make sure they are connected to the original terminals. (**NOTE:** The black wire goes on the upper terminal, and white wire goes on the lower terminal.)
12. Reconnect power to the beacon.

6.5 Lamp Ballast

To replace a lamp ballast, perform the following steps:

1. Disconnect and lock out power to beacon.
2. Locate the 2 latches securing the conical section of the beacon head to the center section. Unlatch these 2 latches and swing the head open.
3. Refer to the assembly diagrams in Section 7 to locate the components. Disconnect the ballast input power leads at the terminal block.
4. Remove the ballast output wires at the terminal block.
5. Remove the four screws attaching the ballast assembly to the beacon head, and remove the old ballast.
6. Place the new ballast into position in the beacon head.
7. Replace the four screws to attach the ballast assembly to the beacon head.
8. Reconnect the ballast input power wires to the terminal block. (**NOTE:** Black wire on terminal labeled Æ , and white wire on terminal labeled **N**.)
9. Reconnect the ballast output wires to the terminal block.
10. Reconnect the power to the beacon.

6.6 Motor and Gearhead

1. Disconnect and lock out power to the beacon.
2. Refer to the assembly drawings in Section 7 for component locations.
3. Loosen the four cap screws that hold the motor in place, and slide the motor to the right.
4. Remove the timing belt.
5. Remove the setscrews in the motor gear, and remove the gear. (**NOTE:** There are two setscrews in each hole.)
6. Disconnect the motor black wire from control panel.
7. Disconnect the wires from the capacitor.
8. Remove the nuts from the four motor cap screws.
9. Remove the motor and gearbox.

10. If replacing only the motor, separate the old motor from the gearbox, and replace with the new motor.
11. If replacing only the gearbox, separate the gearbox from the motor, and replace with the new gearbox.
12. Install the new motor and gearbox back on to motor plate with the four cap screws and nuts.
 - a. (**NOTE 1:** Make sure the shaft of the gearbox is to the right.)
 - b. (**NOTE 2:** Make sure the wires of the motor are facing out.)
13. Reinstall the gear on the shaft of the gearbox, and tighten the setscrews.
14. Reinstall the belt on the two gears, and tighten the belt by sliding the motor to the left, and tighten the cap screws and nuts. (**NOTE:** Adjust the timing belt for no more than 1/8" deflection.)
15. Reconnect the wires to the motor capacitor. Red wire on the left side, and the two white wires on the right side.
16. Reconnect the black wire to the neutral on control panel.
17. Reconnect the power to the beacon.

7 Replacement Parts and Wiring Diagrams

Replacement Parts

Drawing Reference Number	Part Number	Description
15	0100-0001-	TORQUE ARM
71	0100-0012-1	WEATHER CAP
2	0100-0021-	CONTROL PANEL PLATE
2	0100-0021B	CONTROL PANEL ASSY
22	0100-0040-	THERMOSTAT MNTG BRKT
55	0100-0111	ALIGNMENT BRACKET
33	0100-0251	TOP SUPPORT PLATE
51	0100-0253-	GLASS CLIPS
13	0100-3335	SUPPORT LEG
23	0100-3760	Motor Plate
32	0100-3848	SHAFT ASSY
45	0200-0021	Ballast Assembly - 400WPS 120/240 60 Hz
45A	0200-0022	Ballast Assembly - 400WPS 240VAC 50 Hz
27	0500-0023	BEARING - 4-BOLT PILLOW BLOCK
20	0600-0003	BELT
41	0700-0000-	TERMINAL END BARRIER
42	0800-0000-	TERMINAL BLOCK
44, 53, 54	1064-0024-A	HEAD ASSEMBLY
1	1200-0000-	CABINET
76	1500-0018	CATCH
75	1500-0019	STRIKE
17	1800-0000-	ROTATING COUPLING
	2300-0002-	FUSE - 1/2amp, 3AG, SB
	2300-0003-	FUSE, 10 AMP, 3 AG
24	2500-0007	GEARHEAD
59	2800-0035-	LENS, CLEAR
60	2800-0044	LENS, GREEN GLASS
	3000-0005-	FUSE HOLDER
63	3400-0400/H75/PS	METAL HALIDE LAMP, 400W/H75/ED28/PS
	3700-0024	HBM 250/400 MANUAL
26	4100-0014-	MOTOR
18	5000-0003	PULLEY-MAIN SHAFT
19	5000-0005	PULLEY, MOTOR
58	5100-0017	REFLECTOR
	5300-0092	MOV, 20MM, 430V
64	5700-0028	LAMP SOCKET
74	7300-0002-	3/16 X 3/4 WEATHER STRIP
52	7300-0004-	1/8 X 3/8 WEATHERSTRIP
21	9000-0000-	Remote Thermostat
	9500-0003	Heater Cartridge-Hi Temp 120V

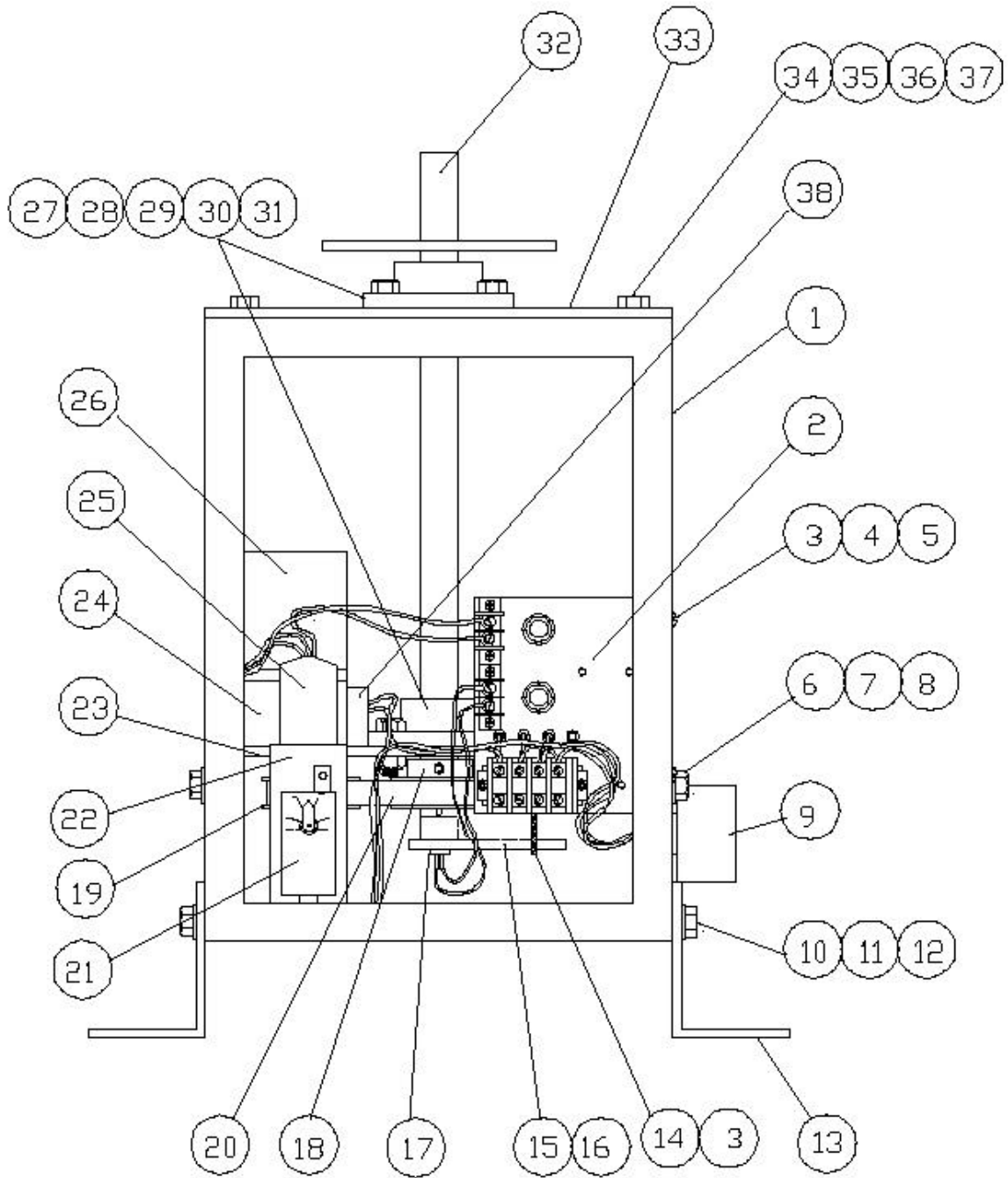


Figure 3

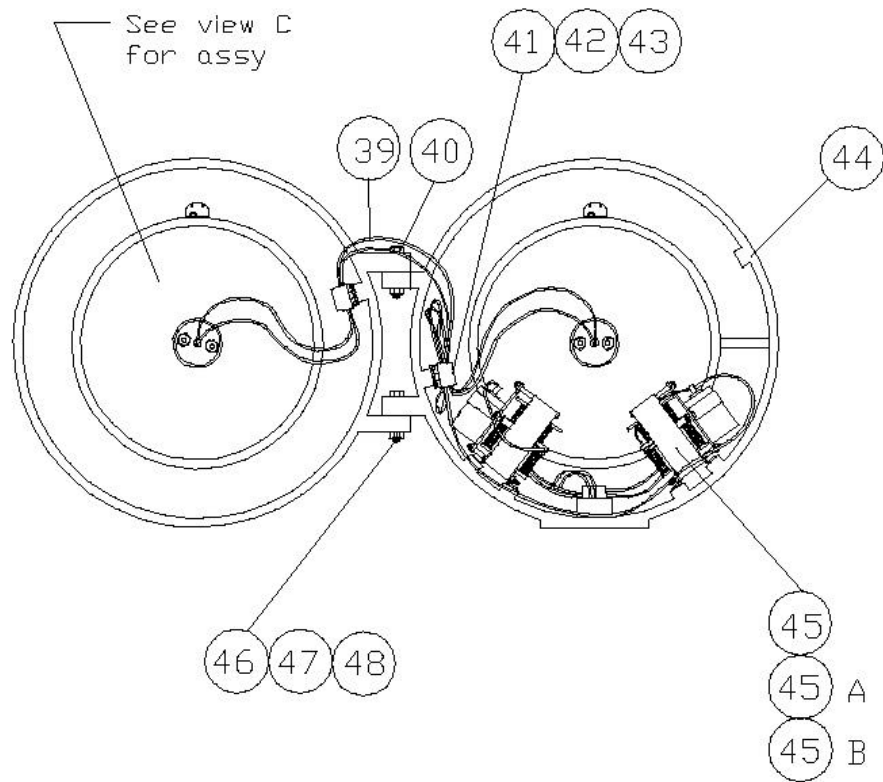


Figure 4

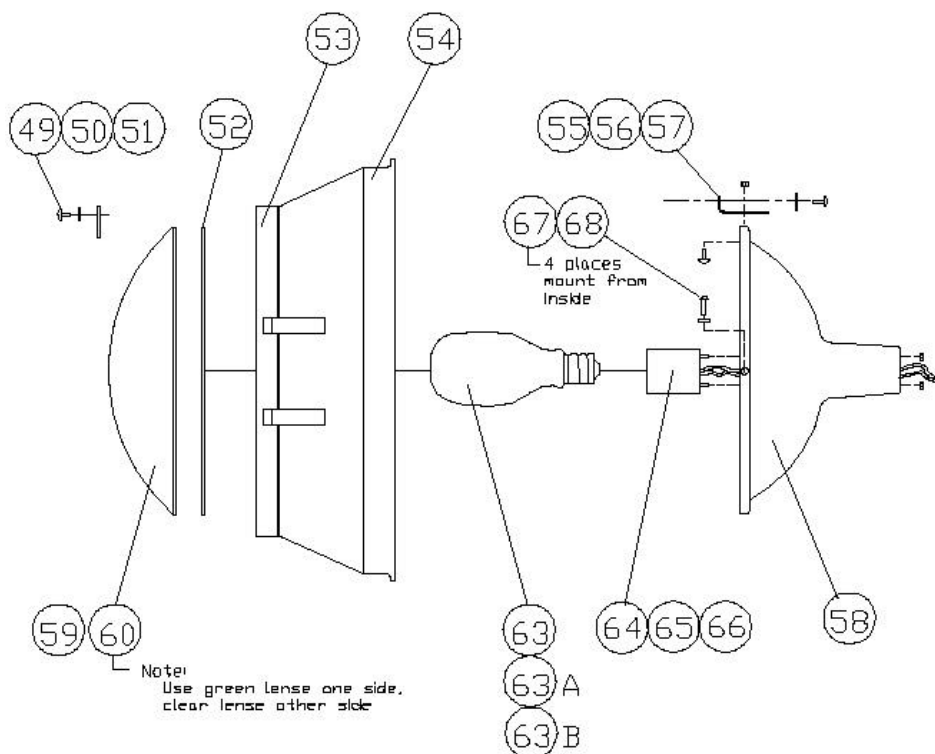


Figure 5

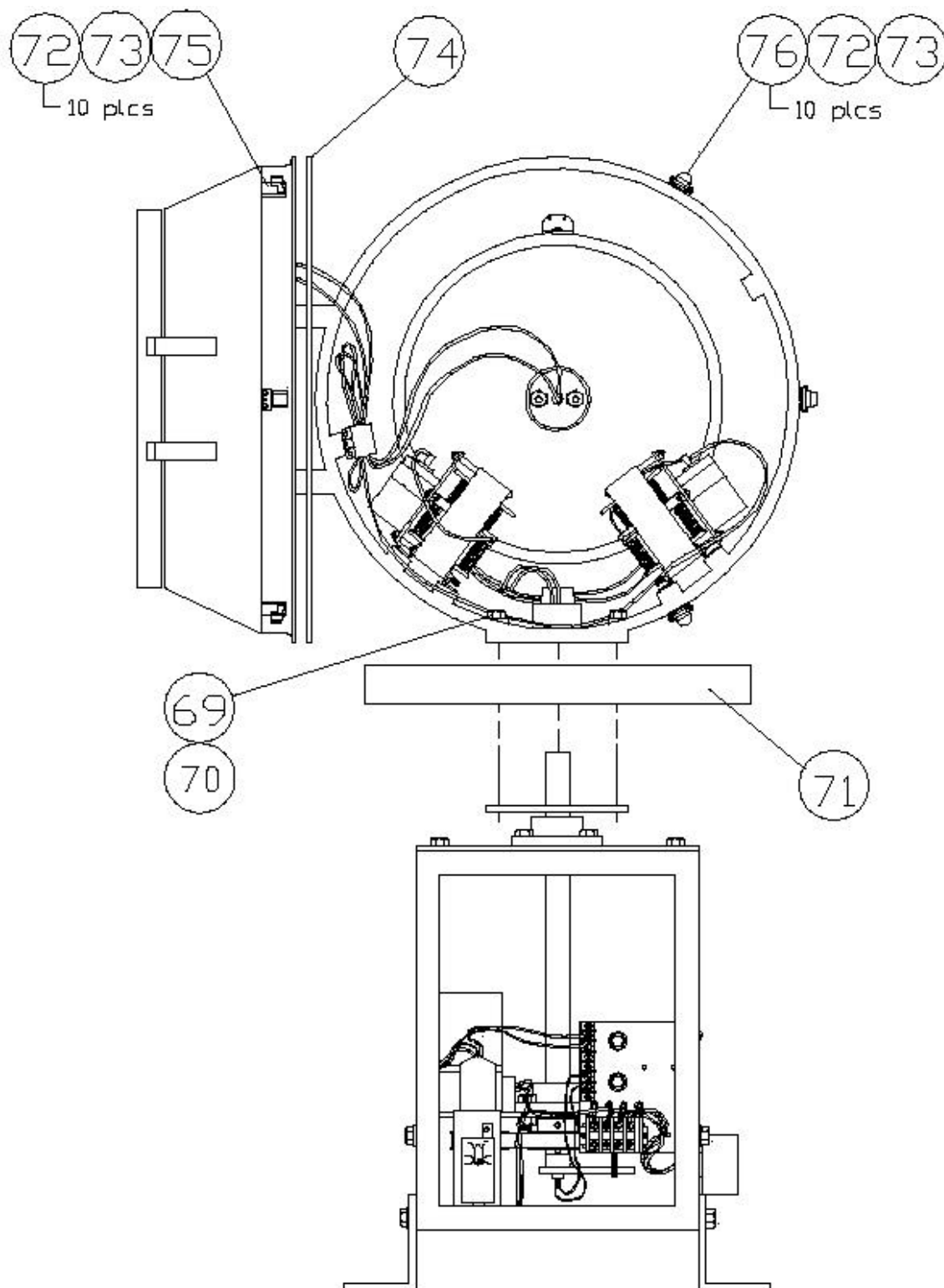
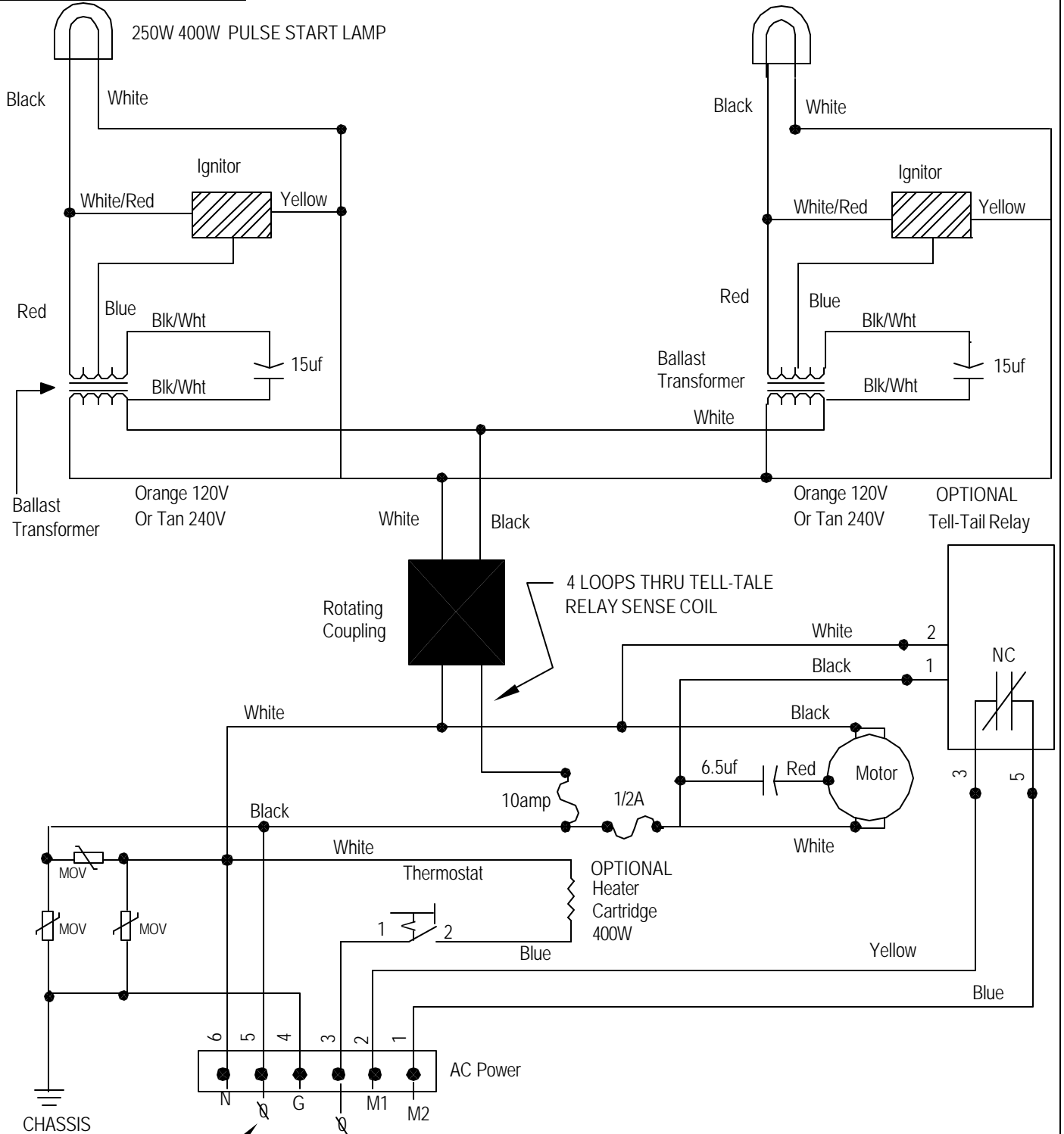


Figure 6

X.XXX +/- 0.005
X.XX +/- 0.015
X.X +/- 0.050
ANGLE +/- 2°

LINE	REV	DESCRIPTION	DATE	APPROVED
N/A	0	Original Release	2/13/04	N/A
N/A	1	Delete white wire between lamps	7/4/07	N/A
N/A	2	Replaced Delta W/MOVS	02/08/08	N/A

250W 400W PULSE START LAMP



 HALI-BRITE, INC. P.O. Box 10 Crosby, MN 56441 Drawn By: Lori Cross	FILE NAME: HB_2000_0038_R2		
	NAME: HBM 250PS OR 400PS 120V/240V 60HZ		
SIZE: A FROM NO.: A	PART NO.: 2000-0038	REV: 2	SCALE: N/A DATE: 02/13/04 SHEET: 1 OF 1

