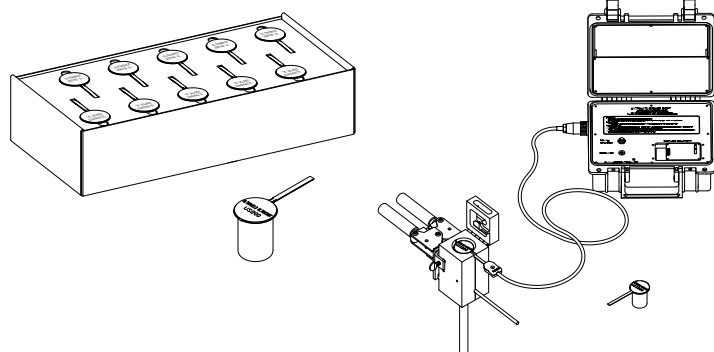


Materials, Tools & Accessories

Weld Metal

UltraShot®

- The weld metal, a mixture of copper oxide and aluminum, is packaged in individual, moisture resistant copper drop-ins.
- The copper drop-in is consumed during the reaction process.
- Each drop-in is marked with the size.

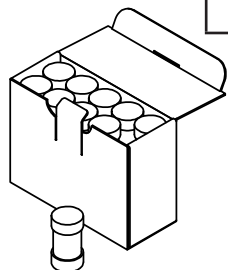


UltraShot® (Drop-In) Weld Metal

Size	Qty. Per Carton	Size	Qty. Per Carton
US25	20	US200	10
US32	20	US250	10
US45	20	US300	10
US65	20	US400	5
US90	10	US500	5
US115	10	US600	5
US150	10	US750	5

NUWTube®

- The weld metal, a mixture of copper oxide and aluminum, is packaged in individual, moisture resistant plastic tubes.
- Dual chamber design holds starting material and weld metal separately, in the same tube.
- Easy to identify with color coded caps. Clear = Weld Metal, Orange = Starting Material.
- Each cartridge is marked with the size.
- Each box also contains instructions and metal disks. One metal disk is used for each connection.

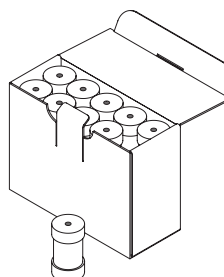


NUWTube® (Pour & Shoot) Weld Metal

Size	Qty. Per Carton	Size	Qty. Per Carton
NUWTUBE15	20	NUWTUBE90	10
NUWTUBE25	20	NUWTUBE115	10
NUWTUBE32	20	NUWTUBE150	10
NUWTUBE45	20	NUWTUBE200	10
NUWTUBE65	20	NUWTUBE250	10

Cast Iron NUWTube®

- For use on ductile iron surfaces.
- Dual chamber design holds starting material and weld metal separately, in the same tube.
- "Red Dot" on cap designates the starting material side.
- Each cartridge is marked with the size.
- Each box also contains instructions and metal disks. One metal disk is used for each connection.



Cast Iron NUWTube® Weld Metal

Size	Qty. Per Carton
NUWTUBE25CI	20
NUWTUBE32CI	20
NUWTUBE45CI	20
NUWTUBE65CI	20
NUWTUBE90CI	10
NUWTUBE115CI	10