

Busbar to Busbar

Mold Information:

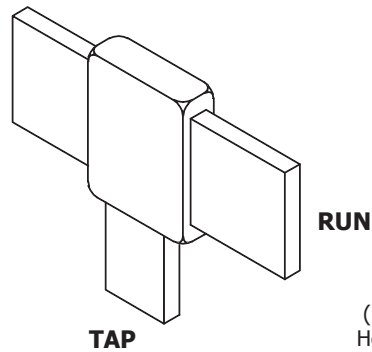
- Price Key is the **Bold Letter** in the Mold Part No.

Required Tools & Accessories:

- MH1 - Handle for "B" Price Key Molds
- MH2 - Handle for "C" Price Key Molds

Recommended Tools & Accessories:

- CCBRSH1 - Cable Cleaning Brush
- MCBRSH1 - Mold Cleaning Brush



BT

(Busbar Tee, Tap Down, Thru Horizontal Run, Busbar Face in Vertical Plane)

BT Connection Type

| Busbar Size | | Mold Part No. | Weld Metal | |
|--|--|--|----------------------------------|--|
| Bar Run | Bar Tap | | UltraShot | NUWTUBE |
| 1/8 x 1 1/8 x 2 & WIDER | 1/8 x 1 1/8 x 2 | BT-181181B BT-182182B | US90 US200 | NUWTUBE90 NUWTUBE200 |
| 3/16 x 1 3/16 x 2 & WIDER | 3/16 x 1 3/16 x 2 | BT-31613161B BT-31623162B | US115 US200 | NUWTUBE115 NUWTUBE200 |
| 1/4 x 1 1/4 x 1-1/4 1/4 x 1-1/2 1/4 x 2 & WIDER | 1/4 x 1 1/4 x 1-1/4 1/4 x 1-1/2 1/4 x 2 | BT-141141B BT-141.25141.25B BT-141.5141.5B BT-142142C | US150 US200 US250 US400 | NUWTUBE150 NUWTUBE200 NUWTUBE250 2-NUWTUBE200 |
| 3/8 x 1 3/8 x 1-1/2 3/8 x 2 & WIDER | 3/8 x 1 3/8 x 1-1/2 3/8 x 2 | BT-381381B BT-381.5381.5C BT-382382C | US250 US400 US500 | NUWTUBE250 2-NUWTUBE200 2-NUWTUBE250 |
| 1/2 x 1 | 1/2 x 1 | BT-121121C | US300 | 2-NUWTUBE150 |