

Cable to Rail Web Grounding Connections

Mold Information:

- Molds listed are for concentric stranded cable.
- Price Key is the **Bold Letter** in the Mold Part No.

Required Tools & Accessories:

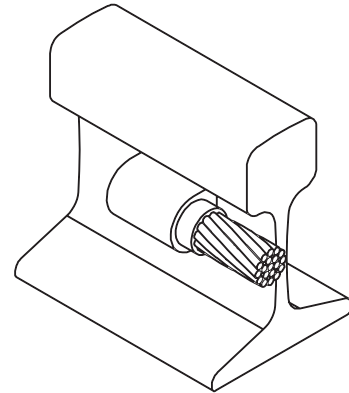
- MH1 - Handle for "K" Price Key Molds
- RMFRMW105C - Rail Clamp
- Flint Igniter (FLTIG) included with MH1

Recommended Tools & Accessories:

- CCBRSH2 - Cable Cleaning Brush
- MCBRSH1 - Mold Cleaning Brush
- RASP - Rasp for cleaning rail

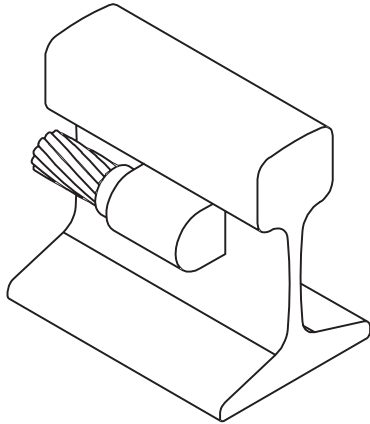
RMVR

(Rail Mold Vertical Web Right Hand Mold)



RMVL

(Rail Mold Vertical Web Left Hand Mold)



RMVR Connection Type

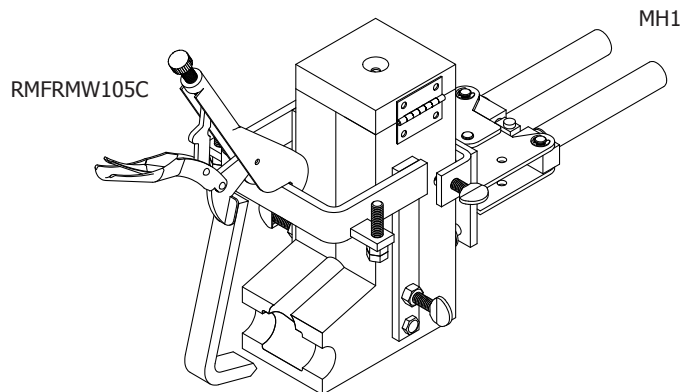
Size	Mold Part No.	Weld Metal	
		UltraShot	NUWTube
4 Concentric	RMVR4WEBK	US65R	NUWTUBE65R
2 Concentric	RMVR2WEBK	US65R	NUWTUBE65R
1 Concentric	RMVR1WEBK	US65R	NUWTUBE65R
1/0 Concentric	RMVR1/0WEBK	US90R	NUWTUBE90R
2/0 Concentric	RMVR2/0WEBK	US90R	NUWTUBE90R
4/0 Concentric	RMVR4/0WEBK	US115R	NUWTUBE115R

- Ultraweld exothermic materials meet requirements of AREMA 8.1.34.

RMVL Connection Type

Size	Mold Part No.	Weld Metal	
		UltraShot	NUWTube
4 Concentric	RMVL4WEBK	US65R	NUWTUBE65R
2 Concentric	RMVL2WEBK	US65R	NUWTUBE65R
1 Concentric	RMVL1WEBK	US65R	NUWTUBE65R
1/0 Concentric	RMVL1/0WEBK	US90R	NUWTUBE90R
2/0 Concentric	RMVL2/0WEBK	US90R	NUWTUBE90R
4/0 Concentric	RMVL4/0WEBK	US115R	NUWTUBE115R

- Ultraweld exothermic materials meet requirements of AREMA 8.1.34.



The adjusting screws on mold frame position conductor at neutral axis of rail where stresses are minimal.