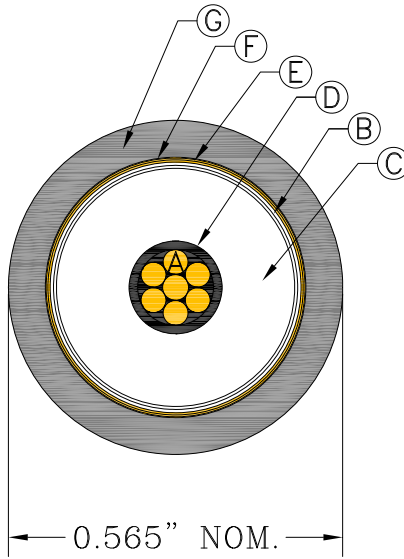


Cable Engineered by Draka Cableteq USA, Inc.



5Kv Shielded, 90C Wet or Dry

Components

- A: #8 AWG 7/0.0481 Bare Copper, Compressed
- B: Semi-Conducting Tape
- C: Extra-Clean, Tree Resistant XLPE Insulation
- D: Semi-Conducting XLPO
- E: Bare Copper Shield Tape, 0.005" Thickness
- F: Polyester Separator Tape
- G: PVC Jacket, 0.055" Min. Thickness

Print Legend

Draka Cableteq USA – MA 1 Cond/#8 AWG Copper XLPE 90 Mils 5kV Shielded 90C Wet or Dry (year)

R e v	DATE	CHANGE DETAIL					Draka Cableteq USA, Inc.		
	0	05/20/10	Initial Release				22 Joseph E. Warner Blvd North Dighton MA 02764 Phone: 508-822-5444 Fax: 508-822-1944 One Tamaqua Blvd Schuylkill Haven PA 17972 Phone: 570-385-4381 Fax: 570-385-1092		
	1								
	2								
3									
Approvals:		Engineering:		Final:		Customer Name:		SENSIS Corp.	
Draka Cableteq USA Inc. reserves the right to modify this information without prior notification and does not make a warranty or representation of any kind, whether implied or expressed with respect to the information contained herein. Draka Cableteq assumes no risks, and will not be liable for direct or indirect, special, incidental or consequential damages, any defect or personal injury resulting from the use of this document. EngDrawing-Rev01-April07						Project Name:		FAA 5kV Shielded L824C	
						Quote Number:		Q34172-2	
						File Number:			
						Page Number:		Page 1 of 2	

Characteristics

OD: 0.565" Nom.
 Weight: 0.20 lbs/ft
 Min. Bend Radius: 3.5 inches (permanent trained)
 7 inches (installation)
 Max. Pulling Tension: 132 lbs (pulling eye or basketweave grip)

Specifications

ICEA S-93-639/NEMA WC 74-2000

Ratings

5000 Volt, 90C Wet or Dry

Packaging

Bulk Cable

R e v	DATE	CHANGE DETAIL				Draka Cableteq USA, Inc. 22 Joseph E. Warner Blvd North Dighton MA 02764 Phone: 508-822-5444 Fax: 508-822-1944 One Tamaqua Blvd Schuylkill Haven PA 17972 Phone: 570-385-4381 Fax: 570-385-1092	
	0	05/20/10	Initial Release				
	1						
	2						
3					Customer Name:	SENSIS Corp.	
Approvals:		Engineering:		Final:			
Draka Cableteq USA Inc. reserves the right to modify this information without prior notification and does not make a warranty or representation of any kind, whether implied or expressed with respect to the information contained herein. Draka Cableteq assumes no risks, and will not be liable for direct or indirect, special, incidental or consequential damages, any defect or personal injury resulting from the use of this document. EngDrawing-Rev01-April07					Project Name:	FAA 5kV Shielded L824C	
					Quote Number:	Q34172-2	
					File Number:		
					Page Number:	Page 2 of 2	